

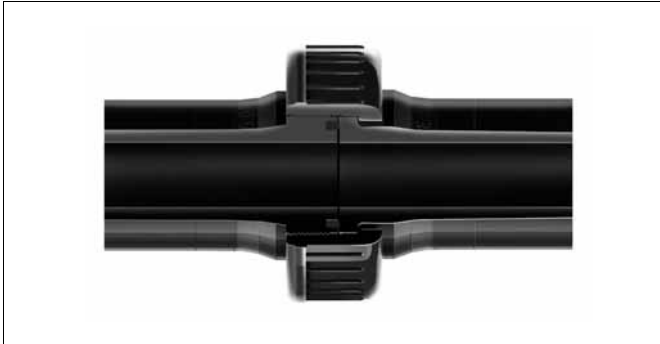
8.2.4 Unions


Figure 8.7 Screw-thread joint

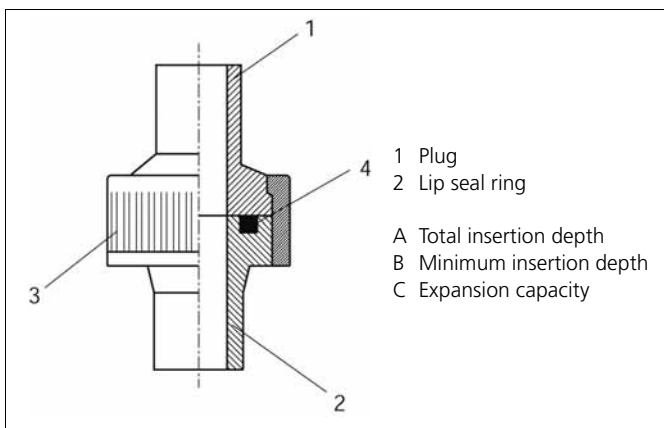


Figure 8.8 Cross-section of a union

These types of connecting elements are used in water lines as well as in transitions from plastic to other materials. The ease of assembly make them an especially valued connecting technique for small pipe sizes. Temperature effects can restrict application in pipe systems due to the flow behaviour of plastic. Each application must be carefully tested.