

Pipe-in-pipe joint

5.2.9 Pipe-in-pipe joint

A detachable and not pull-tight joint between two pipes with different diameters can easily be made using a rubber collar. One size collar can be used for several different pipe diameters.

Joining process:

- Cut pipe square
- Place the rubber collar inside the pipe with the largest diameter
- Place the smaller diameter pipe through the collar

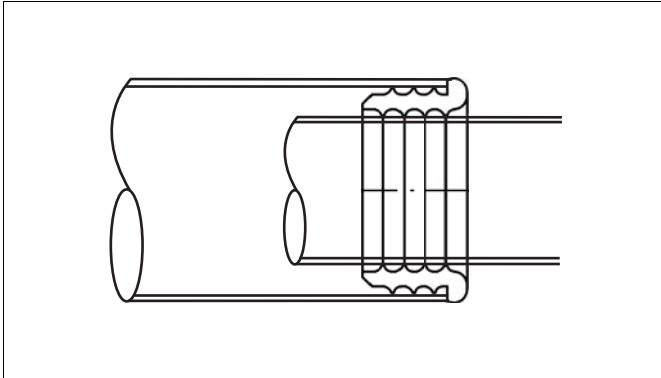


Illustration 5.40