

Installation of Akasion roof outlet X62

AKASISON X62

10.1.3 Akasion X62

The Akasion X62 roof outlet is used on a warm roof without a vapour barrier. A vapour barrier can be used in combination with Akasion X630, for insulation thicknesses up to 160 mm. The Akasion X62 is insulated and available in 3 versions for installation in various types of roofing.

Roofing	Version	Art. Nr.
Bitumen	Bituminous membrane	74 07 32
PVC	PVC flange	74 07 34
Other	Clamping ring	74 07 30

Table 10.4 Versions of Akasion X62

The Akasion X62 has a 75 mm PP connector that must be joined to the PE pipe system by means of a snap socket. All versions have optional heating elements.

Roof outlet installation

The installation of the outlet in the roof is the same for all versions. Only the attachment to the roofing will be described separately for each type of roofing. The electrical connection, of the heating element, is described in paragraph 10.1.9.

1 Make a hole in the roof for the raising piece

Make a round hole in the roof with a diameter of 160 mm.

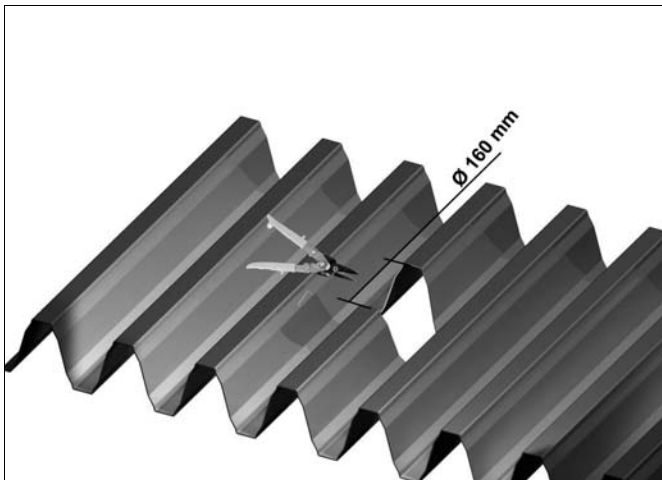


Illustration 10.20 Making an opening in the roof

2 Installing the roof insulation layer

Lay the roof insulation. This must be installed over the roof outlet.

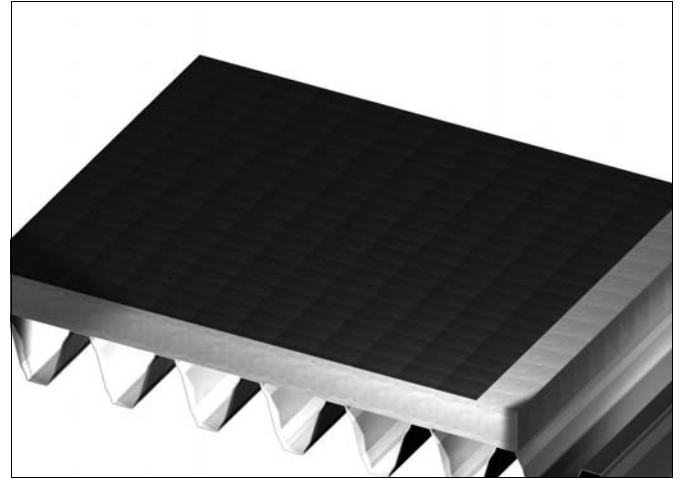


Illustration 10.21 Installing the insulation

3 Make a hole in the insulation for the raising piece

Make a round hole in the insulation with a diameter of 160 mm, matching the opening in the roof.

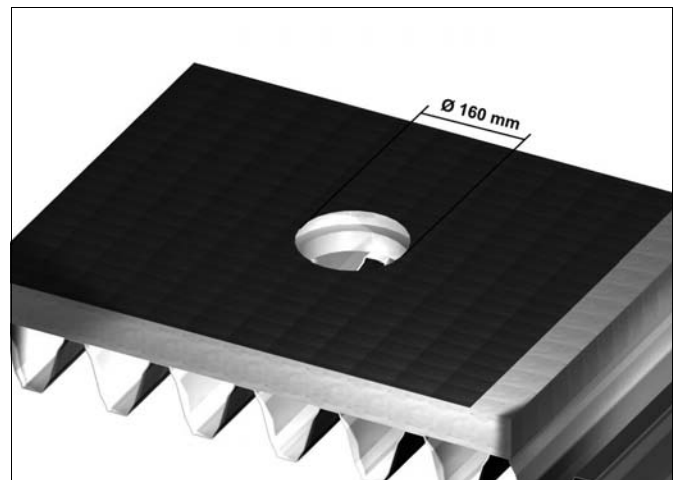


Illustration 10.22 Making an opening in the roof insulation

AKASISON X62

4 Place the roof outlet in the opening

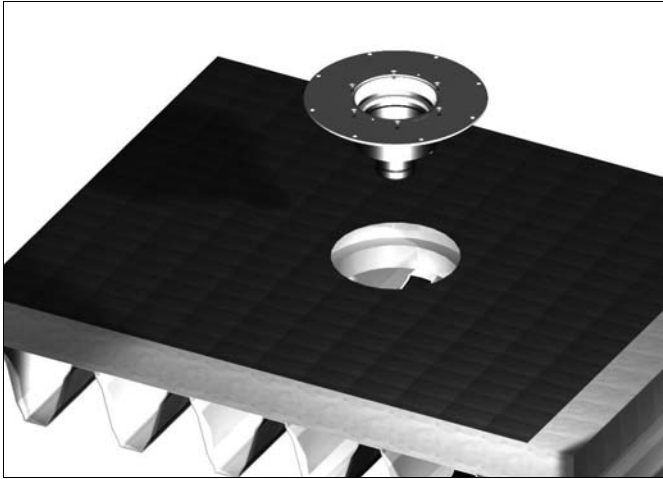


Illustration 10.23 Installing the Akason X62 roof outlet

5 Fastening the outlet to the roof

Fasten the roof outlet (through the insulation) to the roof structure in 4 places. Select fasteners that are long enough for this purpose.

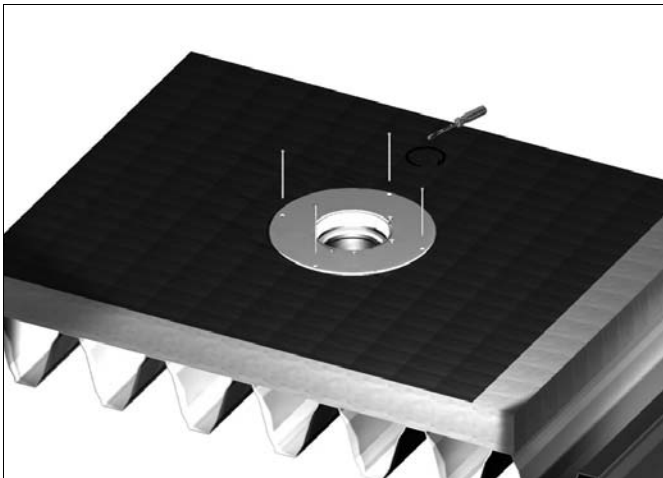


Illustration 10.24 Fastening the roof outlet

The versions relating to the attachment with roofing are illustrated individually. The attachment to bitumen roofing is shown in 5a, PVC in 5b and other roofing material in 5c.

Bitumen roofing

5a-1 Lay the bitumen top layer

The bitumen roofing can be burned directly to the bituminous membrane.

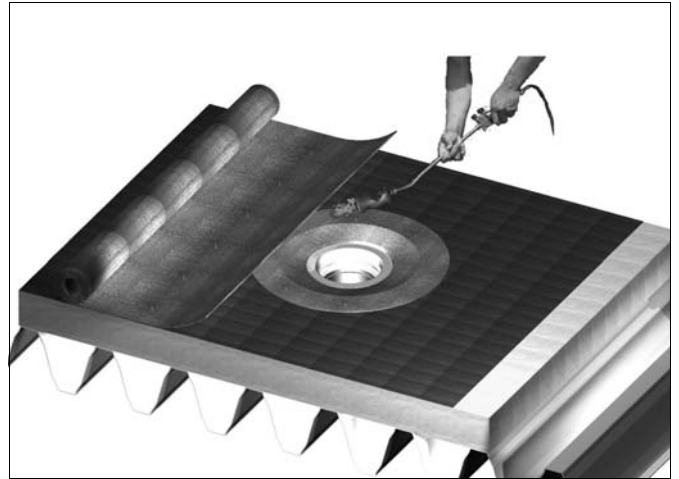


Illustration 10.25 Burning the bitumen top layer

5a-2 Remove extra bitumen

Remove any extra bitumen covering the roof outlet opening.

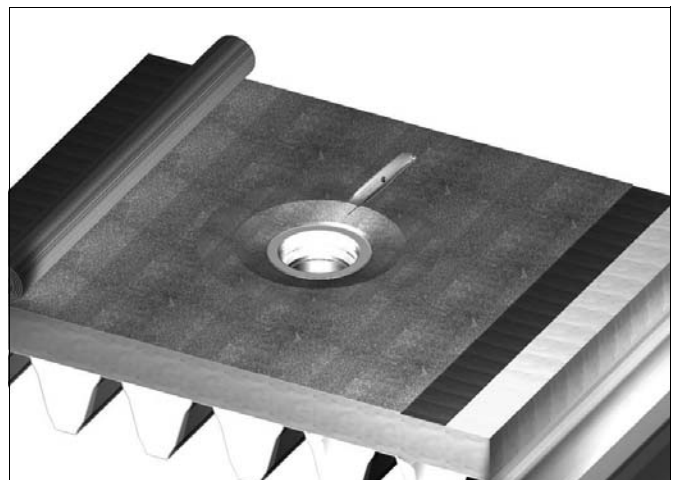


Illustration 10.26 Removing extra bitumen

Installation of Akasion roof outlet X62

AKASISON X62

PVC roofing

5b-1 Lay the PVC top layer

The PVC roofing can be directly attached to the PVC flange.

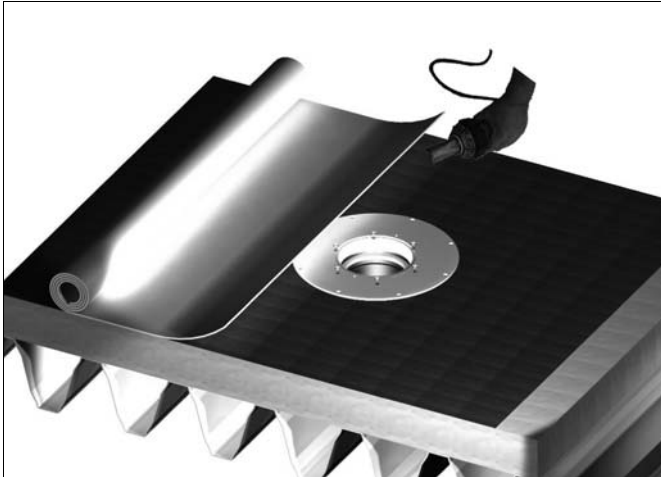


Illustration 10.27 Installing the PVC top layer

5b-2 Remove superfluous PVC

Remove any superfluous PVC covering the roof outlet opening.



Illustration 10.28 Removing superfluous PVC

Other types of roofing

5c-1 Lay the top layer

Cover the roof with the top layer, directly over the roof outlet. Cut a round opening of 200 mm in diameter so that the outlet is uncovered.



Illustration 10.29 Laying the top layer

5c-2 Attach the clamping ring

Use the butterfly nuts and lock rings to secure the top layer to the outlet.



Illustration 10.30 Attaching the clamping ring

AKASISON X62

6 Install the insert and leaf guard

Snap the leaf guard into the outlet.



Illustration 10.31 Installing the leaf guard

7 Connecting to the pipe system

The Akasion X62 is connected to the PE pipe system by means of a snap socket (Art. Nr. 400730) as shown in illustration 10.32.



Illustration 10.32 Connection to the pipe system