

Installation of Akasion roof outlet 63

AKASISON 63

10.1.7 Akasion 63

The Akasion 63 roof outlet is used on warm roofs without a vapour barrier. It is available in 2 versions.

Roofing	Version	Art. Nr.
Bitumen	Bituminous membrane	74 06 32
Overige dakbedekking	Clamping ring	74 06 30

Table 10.9 Versions of the Akasion 63

The Akasion X63 has a 63 mm screw connection that must be joined to the PE pipe system by means of a female thread adaptor.

Roof outlet installation

The installation of the outlet in the roof is the same for all versions. Only the attachment to the roofing will be described separately for each type of roofing.

1 Make an opening in the roof for the raising piece

Make a round hole in the roof with a diameter of 160 mm. A 600x600 mm reinforcement plate must be used in metal roofs.

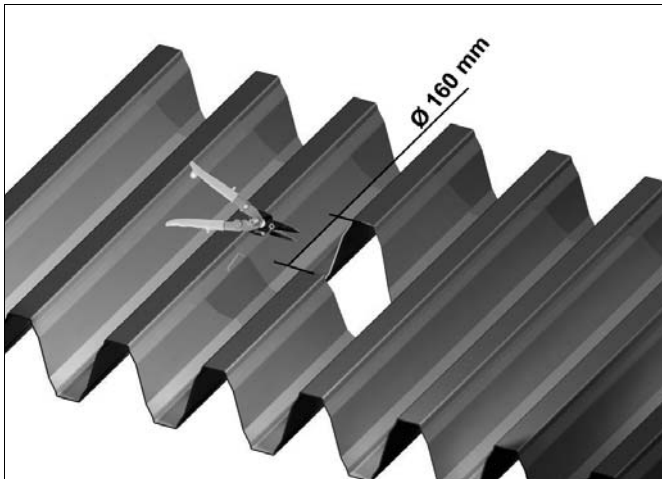


Illustration 10.42 Making an opening in the roof

2 Lay the roof insulation layer

Lay the roof insulation over the roof outlet.

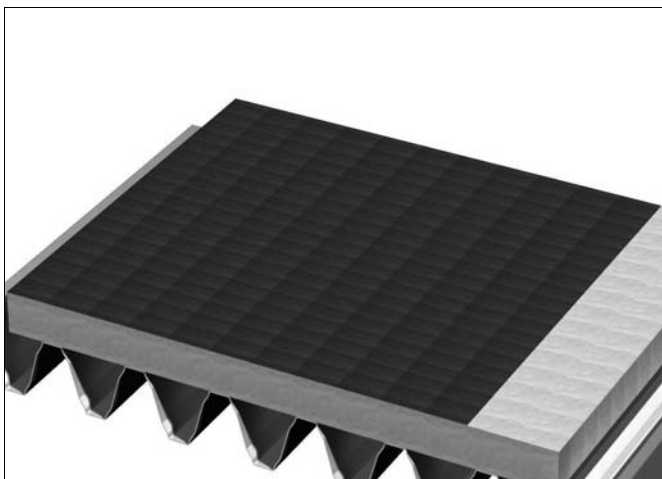


Illustration 10.43 Laying the insulation

The versions relating to the attachment with roofing are illustrated individually. The attachment to bitumen roofing is shown in 6a and other roofing material in 6b.

3 Make a hole in the insulation for the raising piece

Make a round hole in the insulation with a diameter of 160 mm, matching the opening in the roof.

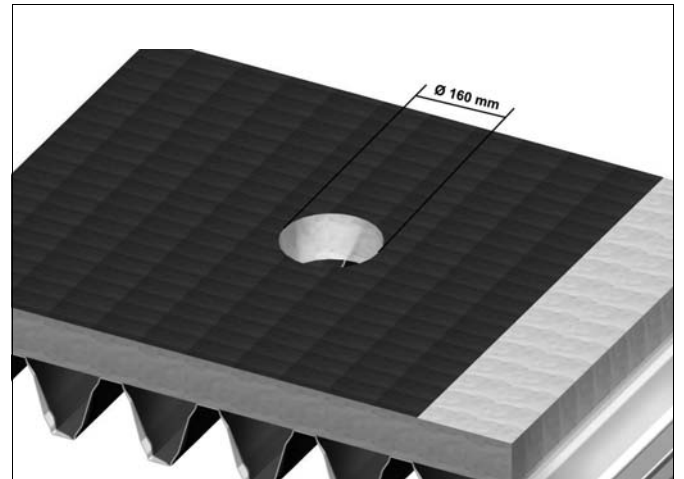


Illustration 10.44 Making an opening in the roof insulation

4 Place the roof outlet in the opening.

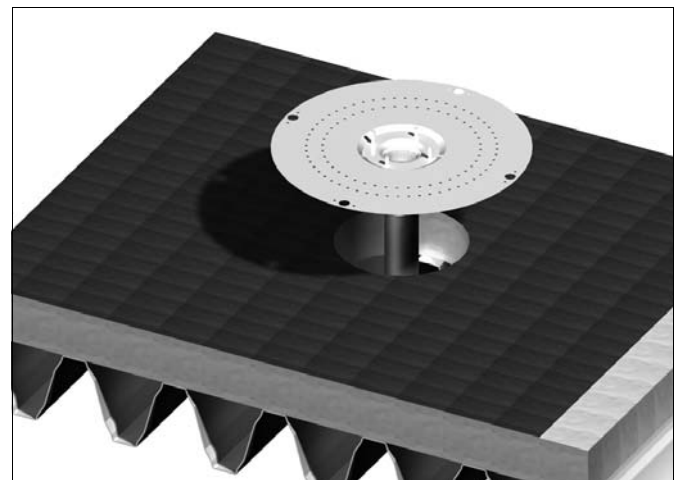


Illustration 10.45 Installing the Akasion X63 roof outlet

AKASISON 63

5 Fastening the outlet to the roof

Fasten the roof outlet (through the insulation) to the roof structure in 4 places. Select fasteners that are long enough for this purpose

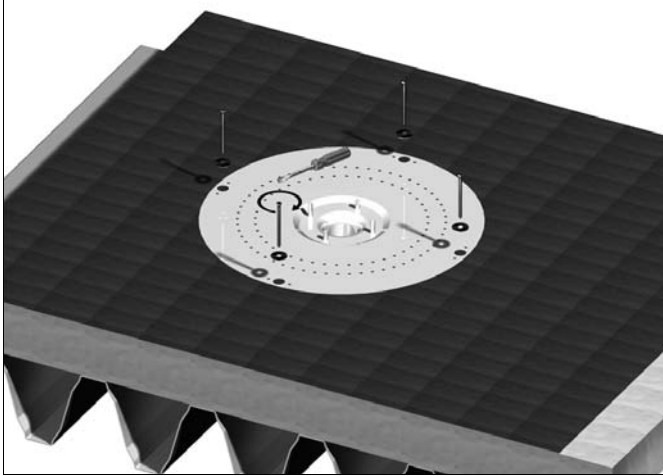


Illustration 10.46 Fastening the roof outlet

Bitumen roofing

6a-1 Lay the bitumen top layer

The bitumen roofing can be burned directly to the metal plate.

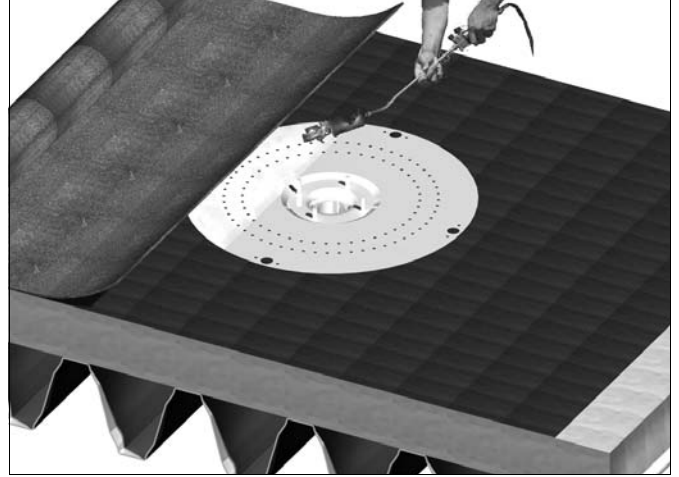


Illustration 10.47 Burning the bitumen top layer

6a-2 Remove superfluous bitumen

Remove any superfluous bitumen covering the roof outlet opening.

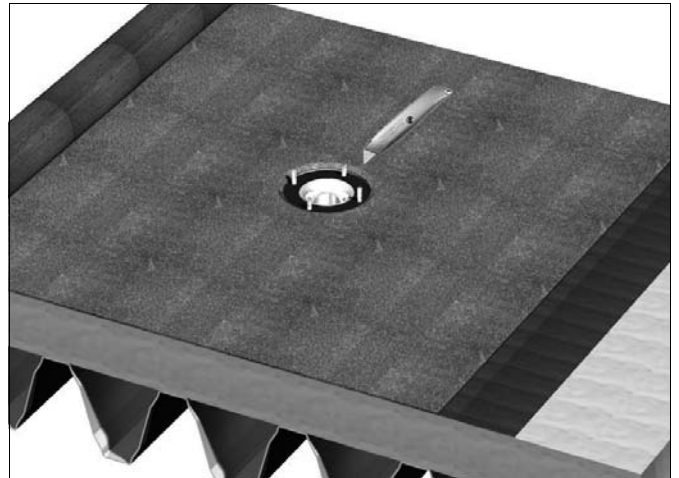


Illustration 10.48 Removing superfluous bitumen

Installation of Akasion roof outlet 63

AKASISON 63

Other roofing types

6b-1 Position the lower clamping flange

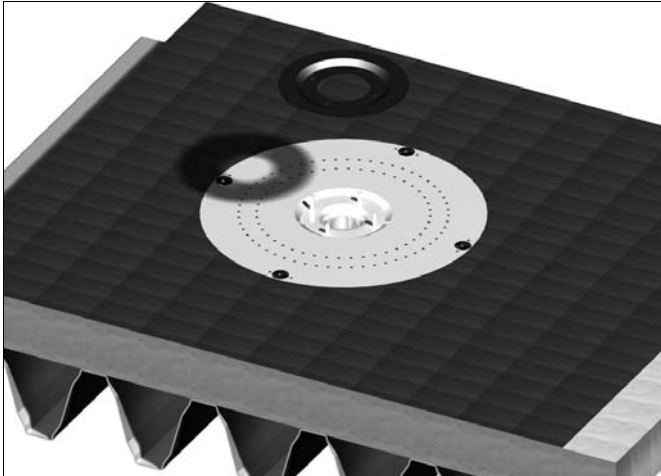


Illustration 10.49 Attaching the lower clamping flange

6b-2 Laying the top layer

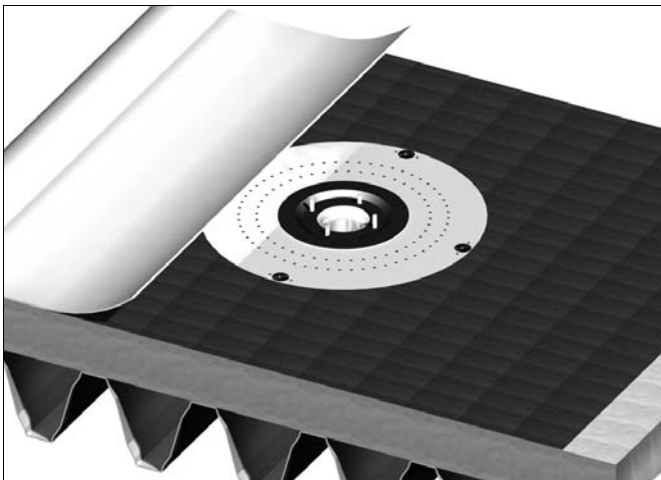


Illustration 10.50 Laying the top layer

6b-3 Remove superfluous roofing

Remove any superfluous material covering the roof outlet opening.



Illustration 10.51 Removing superfluous roofing

7 Install the upper flange

The upper flange is fastened to the roof outlet with 2 nuts.

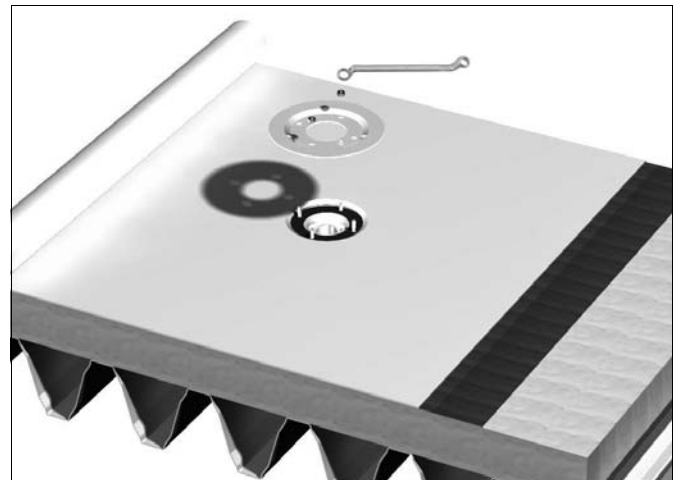


Illustration 10.52 Attaching the upper clamping ring

AKASISON 63

8 Install the leaf guard

The leaf guard is installed on the outlet using the 2 longest threads.

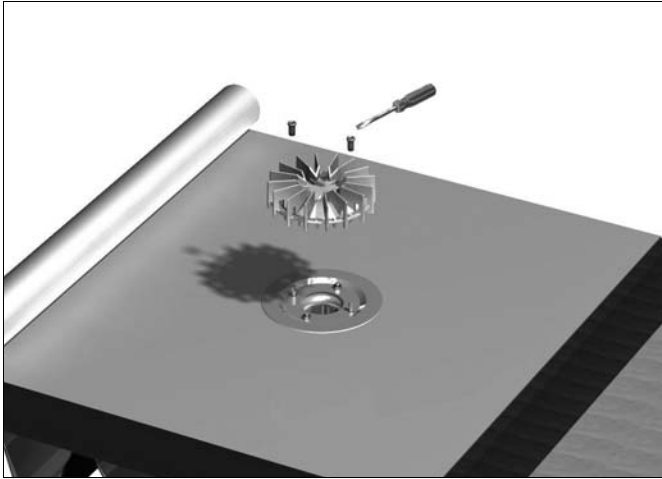


Illustration 10.53 Installing the leaf guard

9 Connecting to the pipe system

The Akasion 63 is connected to the PE pipe system by means of a female thread adapter as shown in illustration 10.54.

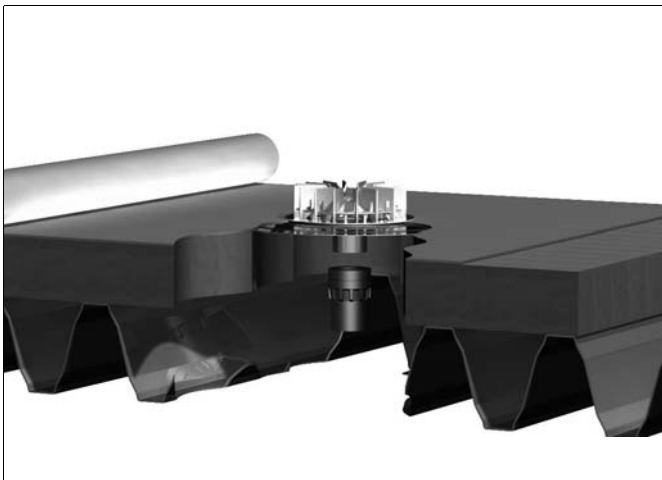


Illustration 10.54 Connection to the pipe system