

## Installation of Akasion raising piece X630

### AKASISON X630 RAISING PIECE

#### 10.1.4 Akasion raising piece X630

The Akasion X630 roof outlet is a raising piece used with the Akasion X62 roof outlet, when the roof insulation is between 50 and 250 mm thick.

An additional advantage of the Akasion X630 is that a vapour barrier can be incorporated and that the Akasion X62 can be used as a roof outlet during a phased installation of the roof, in which roof insulation and finishing occurs at a later stage.

Just like the Akasion X62, the Akasion X630 is available in three versions for installation with various types of roofing.

Roofing	Version	Art. Nr.
<b>Bitumen</b>	Bituminous membrane	74 12 62
<b>PVC</b>	PVC flange	74 12 64
<b>Other</b>	Clamping ring	74 12 60

Table 10.5 Versions of the Akasion X630

The Akasion X630 has a 125 mm PP connection element with recoil seal that is inserted in the outlet opening of the Akasion X62.

#### Roof outlet installation

The installation of the outlet in the roof is the same for all versions. Only the attachment to the roofing will be described separately for each type of roofing.

#### 1 Make an opening in the roof

Make a round hole in the roof with a diameter of 160 mm.

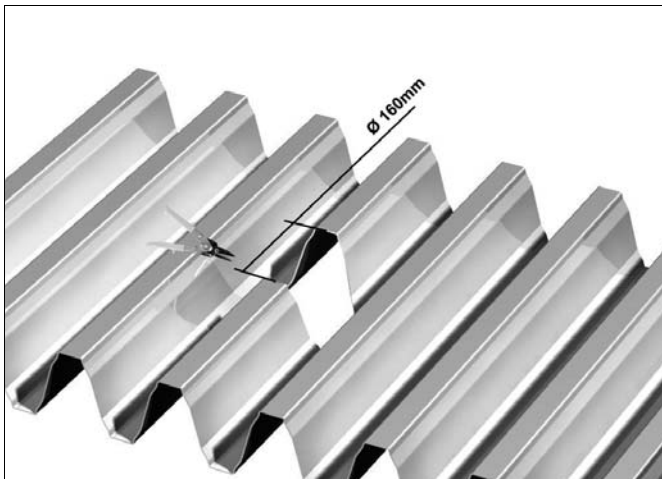


Illustration 10.33 Making an opening in the roof

#### 2 Reinforce the roof (not in the case of a concrete roof)

If the outlet is installed in a metal roof, the roof needs to be re-inforced.

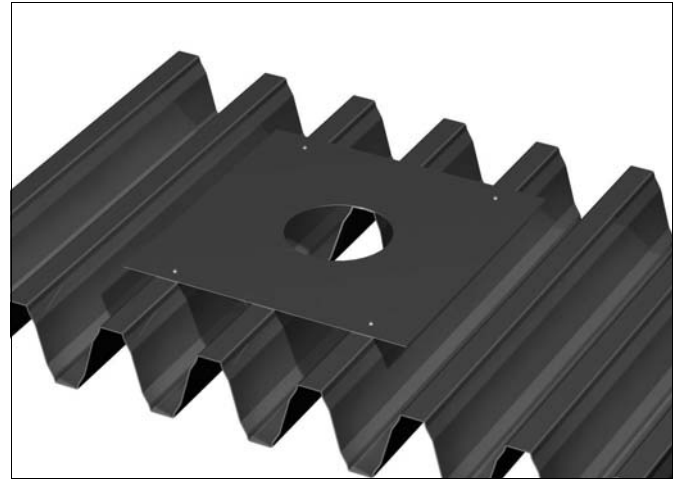


Illustration 10.34 Attaching the reinforcement plate

#### 3 Place the X62 outlet in the opening

The Akasion roof outlet is mounted directly through the roof, but still under the insulation. The Akasion X630 will later be inserted into the X62 opening.

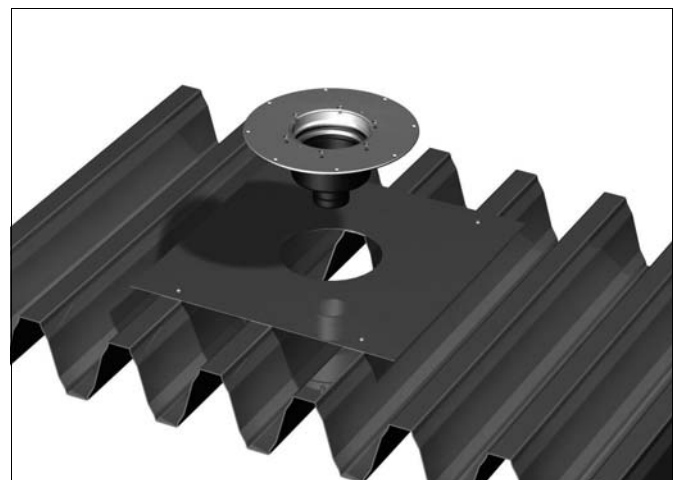


Illustration 10.32 Installing the Akasion X62 roof outlet

AKASISON X630 RAISING PIECE

**4 Fastening the outlet to the roof**

Fasten the roof outlet to the roof structure in 4 places.

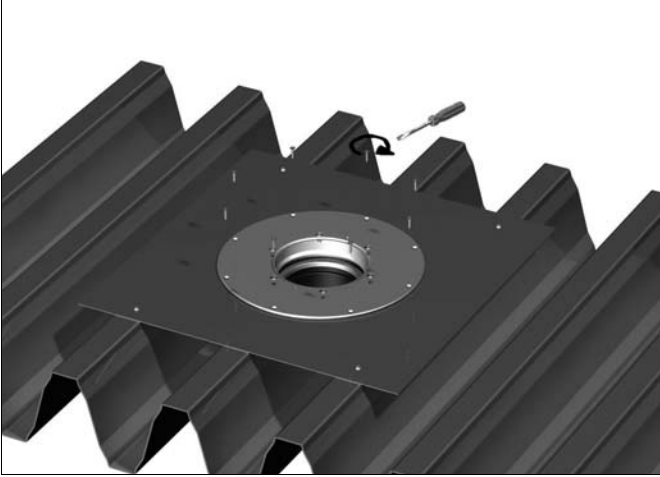


Illustration 10.36 Fastening the roof outlet

**5 Mounting the seal**

Place the seal in the groove of the outlet's body.

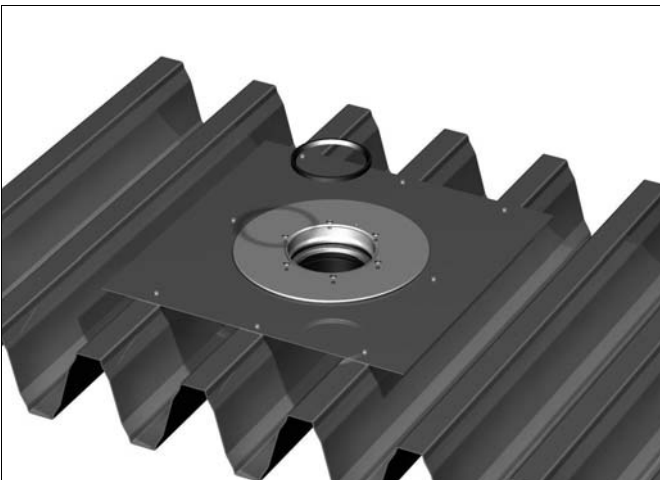


Illustration 10.37 Mounting the seal

**6 Attaching the vapour barrier**

Attach the vapour barrier according to the instructions for the Akasison X62.

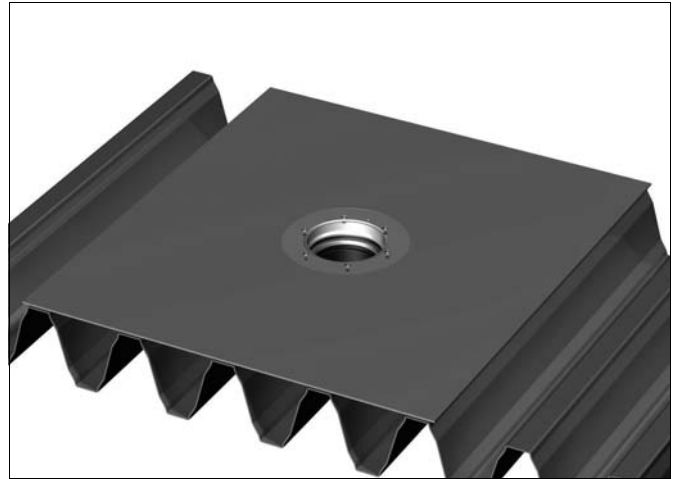


Illustration 10.38 Attaching the vapour barrier

**7 Laying the roof insulation layer**

Lay the roof insulation over the roof outlet.

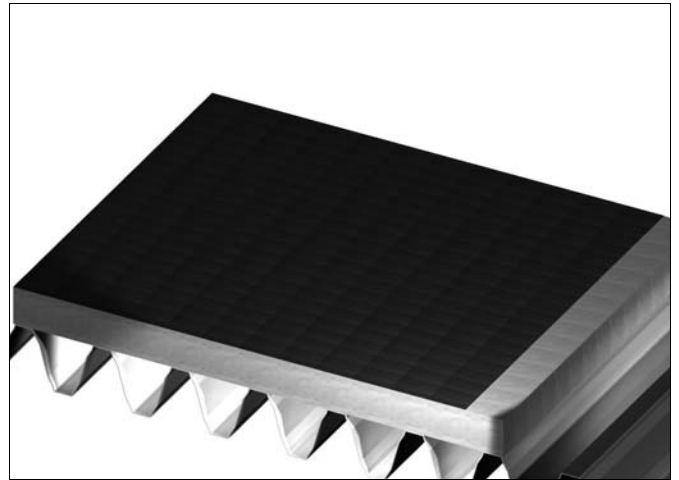


Illustration 10.39 Laying the roof insulation

## Installation of Akasison raising piece X630

### AKASISON X630 RAISING PIECE

#### 8 Make a hole in the insulation for the raising piece

Make a round hole in the insulation with a diameter of 130 mm through which the Akasison X630 connection element can be inserted.

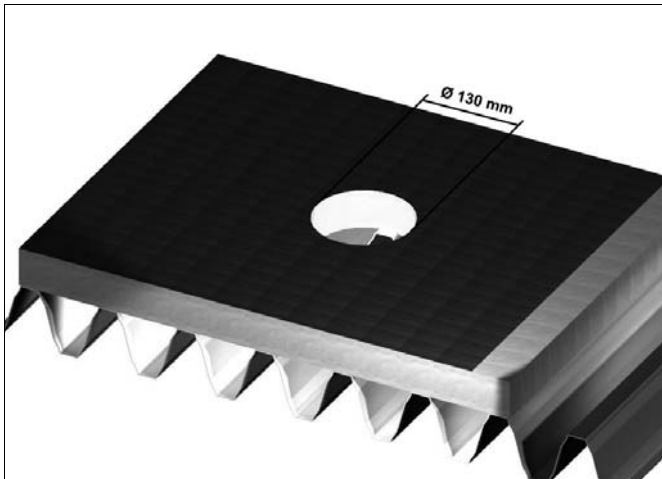


Illustration 10.40 Making an opening in the roof insulation

#### 9 Customise the Akasison X630 and install it on the roof

The pipe should penetrate 75 mm into the outlet body of the underlying Akasison X62. Therefore 75 mm to the thickness of the insulation and size the raising piece as required. The proper length is measured from the bottom of the outlet plate (the bottom of the outlet plate is equal to the top of the insulation).

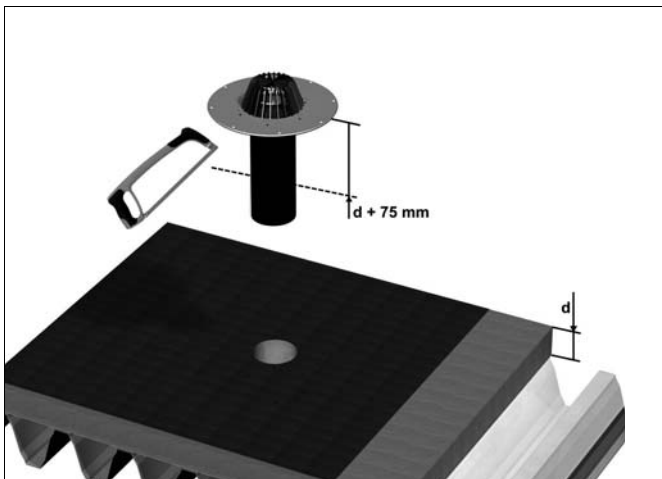


Illustration 10.41 Customising the Akasison X630

Insert the Akasison X630 through the insulation and seal mounted in step 5.

The further installation of the Akasison X630 is the same as the installation of the Akasison X62.