

## Installation of Akasion gutter outlet

### AKASISON ROOF OUTLET FOR GUTTER

#### 10.1.2 Akasion roof outlet for gutter

The Akasion gutter outlet is used in metal gutters and is available in 3 sizes, depending on the diameter of the pipe system being connected. Install the Akasion gutter outlet according to the following steps.

##### 1 Make an opening for the outlet in the gutter

Make a round hole in the middle of the gutter width. The diameter of the hole must be made as specified in table 10.3 and depends on the outlet type. Referring to illustration 10.13 and table 10.3, you can determine the type of gutter outlet that you have and the size of the required opening.

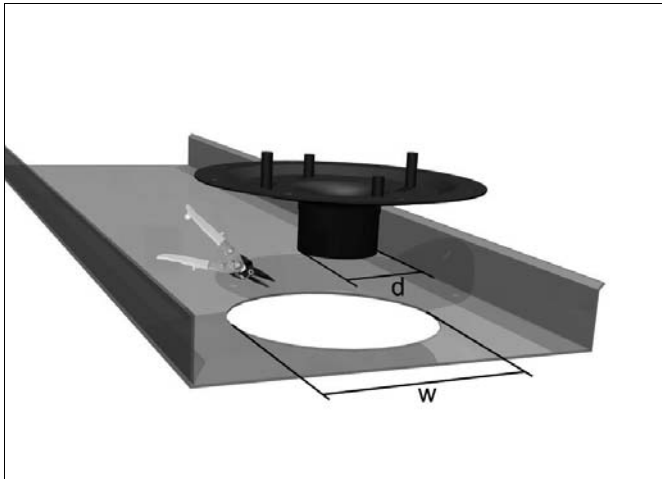


Illustration 10.13 Making an opening in the gutter

Art. Nr.	d (mm)	W (mm)
74 06 50	63	160
74 09 50	90	210
74 11 50	110	330

Table 10.3 Gutter outlet

##### 2 Mark and drill the fastening holes in the gutter

Use the outlet to mark 8 drill holes as shown in illustration 10.14.

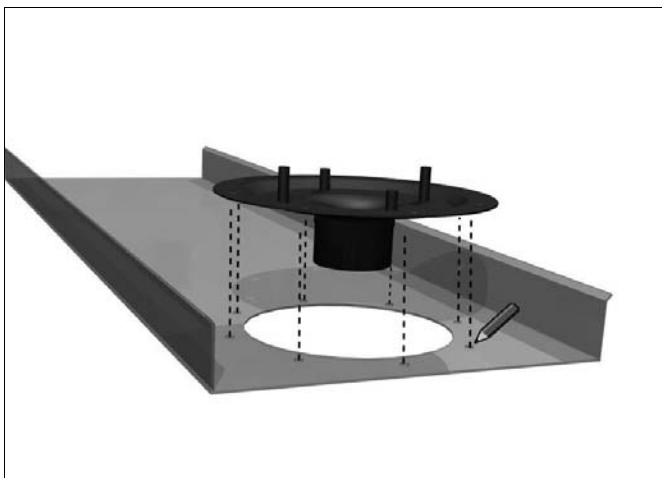


Illustration 10.14 Marking the drill holes

Next, drill 8 x 6,5 mm holes in the gutter as shown in illustration 10.15.

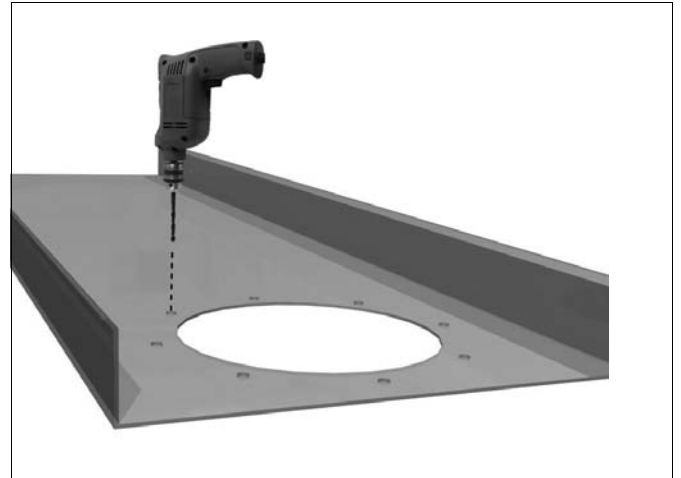


Illustration 10.15 Drilling

##### 3 Install the outlet in the hole

Use the 8 bolts to install the outlet in the hole in accordance with illustration 10.16. Ensure that an EPDM seal has been placed both between the outlet and the gutter and between the gutter and the metal clamping ring.



Illustration 10.16 Installing the outlet

### AKASISON ROOF OUTLET FOR GUTTER

#### 4 Install the leaf guard

The leaf guard is installed on the outlet using the 2 longest threads.

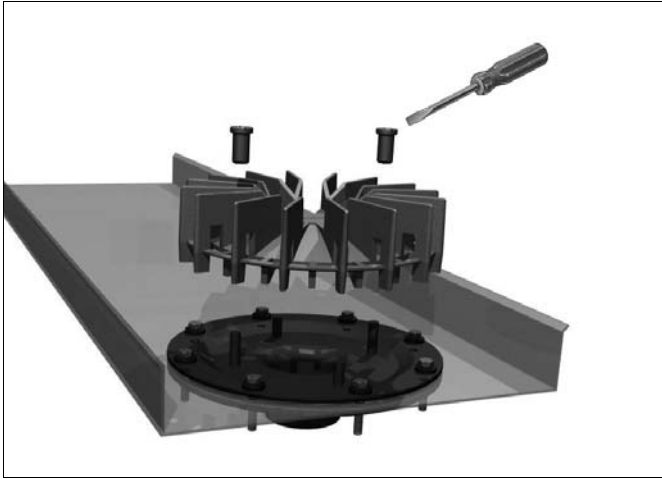


Illustration 10.17 Installing the leaf guard

#### 5 Connecting the pipe system

The Akason outlets with diameters of 63 and 90 mm connect to the pipe system by means of a connector. The 110 mm outlet is joined to the pipe system with a flange. Illustrations 10.18 and 10.19 show the connections, including the additional required Akatherm article numbers.



Illustration 10.18 Using a connector to connect 63 and 90 mm outlets to the PE pipe system

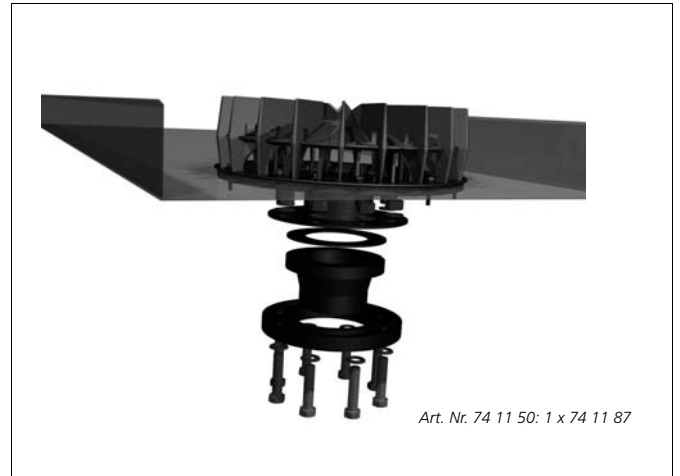


Illustration 10.19 Using a flange to connect the 110 mm outlet to the PE pipe system