

Can it be more simple?

The **NEW** roof outlet Akasison XL75

Akatherm introduces the all new plastic based roof outlet Akasison XL 75. The roof outlet has a Ø 75 mm outlet pipe and is intended for the Akasison siphonic system. The roof outlet is available with a bituminous flange, a PVC flange and a clamp flange to match every roofing material.

The roof outlet Akasison XL 75 has been designed conform to EN1253 and has a compact and well thought out design with few components.



SPECIFICATIONS:

- Made of high performance plastics
- Flow capacity 20 l/s at 55 mm water height
- Ø 75 mm outlet pipe
- 3 versions for PVC, bituminous and other roofing membranes
- Electrofusible HDPE pipe connector
- Conform EN1253

KEY DESIGN PRINCIPLES

PLASTIC BASED DESIGN

- Durable, weather resistant, non-corrosive material
- Allows optimal hydraulic configuration

SECURE JOINTS TO ROOFING MEMBRANE & PIPE SYSTEM

- Large joining surface area for secure membrane connection and stability
- Tested and guaranteed compatibility with all common roofing membranes
- 360 mm long electrofusible pipe connector for a secure and easy connection to the pipe system
- Air baffle with solid bolted connection

SUPPLY RANGE FOR

PVC based membranes P



- PVC flange base plate
- Air baffle
- HDPE pipe connector
- Insulation block (EPS)
- Heating element (optional)

Bituminous based membranes B



- Base plate with bituminous flange
- Air baffle
- HDPE pipe connector
- Insulation block (EPS)
- Heating element (optional)

Other membranes C



- Base plate with clamp flange
- Air baffle
- HDPE pipe connector
- Insulation block (EPS)
- Heating element (optional)

REDUCING LOGISTIC COMPLEXITY

SMART MODULAR DESIGN

- Few components
- Roof outlet type with connector as single article number in the box

COMPLETE RANGE WITH THREE OUTLET VERSIONS

- Clear selection criteria for each application
- High availability from stock

REDUCING INSTALLATION COMPLEXITY

QUICK PREPARATION

- All required parts in one box
- Few parts to assemble
- Installation instructions moulded on base plate

EASY INSTALLATION

- Large joining surface area for secure membrane connection and stability
- 60 mm body height for roofs with thin insulation
- 360 mm long electrofusible pipe connector for roofs with thick insulation
- EPS insulation block with preformed profile

APPLICATION

Our roof outlet with PVC flange base plate and bituminous flange have a tested and guaranteed compatibility with all common roofing membranes, making it a versatile solution serving many different applications.

The roof outlet with clamp flange offers a solution for roofing membranes that require a mechanical connection to the roof outlet. Select your roof outlet type from the matrix with roofing membranes on the left.

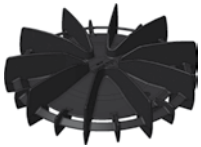
Roofing membrane	Roof outlet version	
PVC	PVC flange	P
PVC-P	PVC flange	P
Bitumen SBS	Bituminous flange	B
Bitumen APP	Bituminous flange	B
EPDM	Clamp flange	C
FPO-PE	Clamp flange	C
FPO-PP	Clamp flange	C
ECB	Clamp flange	C
PE-C	Clamp flange	C
PIB Rhepanol fk	Clamp flange	C

DESIGN FEATURES

The roof outlet has been designed with modern logistic, technical and installation demands in mind. Each component of the roof outlet meets the current standards and practical requirements for a quick and easy installation. The table below lists the design features per component.

Air baffle

P B C



- Integrated leaf guard
- Excellent flow characteristics
- Optimal fin design to reduce vortex and air intake
- Ring design for optimal flow and blockage prevention
- Conform EN1253
- Solid bolted connection

Clamp flange

C



- Strong 1.5 mm metal flange
- Designed for optimal clamp action
- 6 studs for even distribution of clamping force
- Visual indication of correct clamping

Clamp flange seal

C



- Self adhesive 4 mm EPDM seal
- Prefixed on base plate for ease of installation
- Excellent air and water sealing characteristics

Base plate

P B C



- Plate diameter conform EN1253
- Dedicated version for PVC and bituminous membranes
- Large joining surface area for secure membrane connection and stability
- Installation instructions moulded on base plate
- Screw thread with o-ring securely connects pipe connector
- Integrated metal studs

EXPLODED VIEW



P PVC flange vertical



B Bituminous flange vertical



C Clamp flange vertical

Heating element

P B C



- 230V 7W heating element
- Self regulating temperature
- 1 m connection cable

Pipe connector

P B C



- 360 mm long pipe connector goes through thickest roofs
- Wide top body to minimize stress on thread connection
- Top body holds heating element
- 60 mm body height for installation in thinnest roofs
- Electrofusable to HDPE piping system
- Compact build horizontal pipe connector available

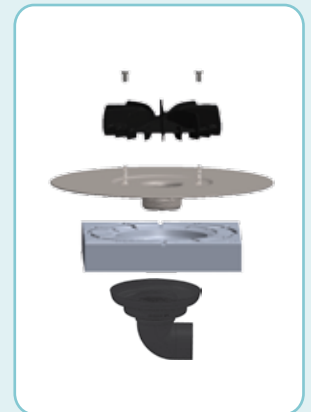
Insulation block

P B C

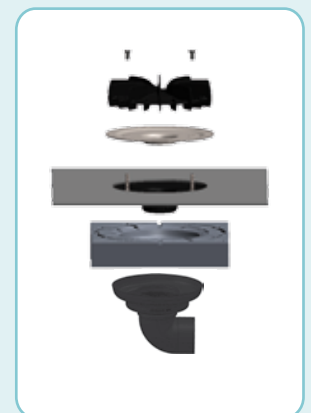


- Insulation block with preformed profile for easy installation
- Thickness to suit any roof insulation thickness
- Fire retardant EPS (Euroclass E)

EXPLODED VIEW



P PVC flange horizontal



B Bituminous flange horizontal



C Clamp flange horizontal

ARTICLE NUMBERS

The new roof outlet Akasison XL75 replaces the current range of plastic roof outlets Akatherm carries. The new roof outlet can be ordered in the following configurations:

VERTICAL PIPE CONNECTOR

Art. No.	Roof outlet type	Version
747500	Roof outlet Akasison XL75	Clamp flange
747501	Roof outlet Akasison XL75 H	Clamp flange heated
747502	Roof outlet Akasison XL75 B	Bituminous flange
747503	Roof outlet Akasison XL75 H B	Bituminous flange heated
747504	Roof outlet Akasison XL75 PVC	PVC flange
747505	Roof outlet Akasison XL75 H PVC	PVC flange heated

HORIZONTAL PIPE CONNECTOR

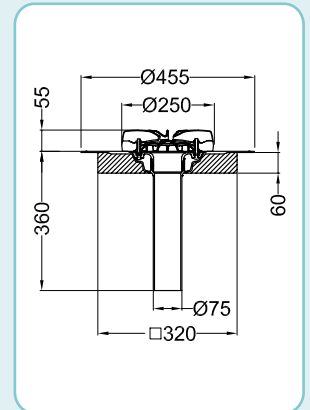
Art. No.	Roof outlet type	Version
747580	Roof outlet Akasison XL75 HR	Clamp flange
747581	Roof outlet Akasison XL75 HR H	Clamp flange heated
747582	Roof outlet Akasison XL75 HR B	Bituminous flange
747583	Roof outlet Akasison XL75 HR H B	Bituminous flange heated
747584	Roof outlet Akasison XL75 HR PVC	PVC flange
747585	Roof outlet Akasison XL75 HR H PVC	PVC flange heated

SPARE PARTS

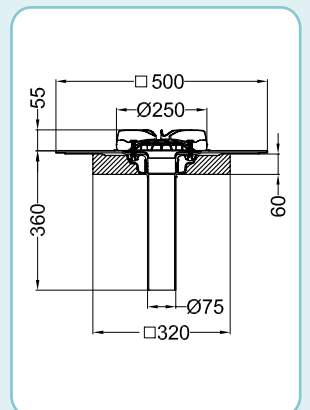
The following spare parts are available for the roof outlet Akasison XL75:

Art. No.	Part description	Content
747520	Pipe connector XL75	HDPE pipe connector
747521	Pipe connector XL75 heated	HDPE pipe connector with integrated heating element
747531	Base plate O-ring and lubricant	O-ring with lubricant
747550	Air baffle set	Air baffle and set of 2 nuts
747560	Clamp flange set	Clamp flange, self adhesive seal and set of 6 nuts
747561	Seal for clamp flange	Self adhesive clamp flange seal

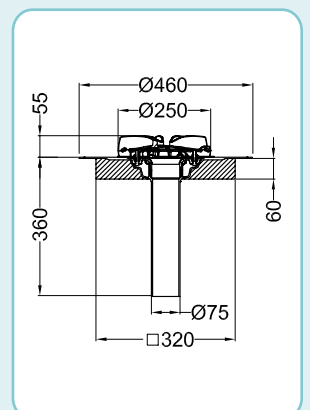
DIMENSIONS



P PVC flange vertical



B Bituminous flange vertical



C Clamp flange vertical

PACKAGING DETAILS

One roof outlet is packed per carton box. Refer to the table below for the box weight, box dimensions, EAN code and pallet quantity.

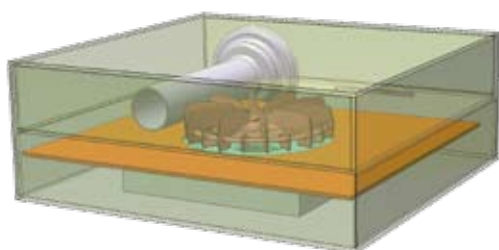
VERTICAL PIPE CONNECTOR

Art. No.	Box qty.	Weight	Box dimensions	EAN code	Pallet qty.
747500	1	2.81 kg	600 x 500 x 200 mm	8716798016841	16
747501	1	2.93 kg	600 x 500 x 200 mm	8716798016858	16
747502	1	4.65 kg	600 x 575 x 225 mm	8716798016865	10
747503	1	4.77 kg	600 x 575 x 225 mm	8716798016872	10
757504	1	2.44 kg	600 x 500 x 200 mm	8716798016889	16
747505	1	2.56 kg	600 x 500 x 200 mm	8716798016896	16

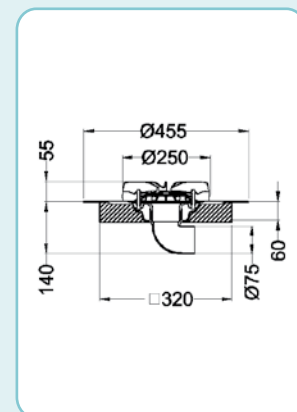
HORIZONTAL PIPE CONNECTOR

Art. No.	Box qty.	Weight	Box dimensions	EAN code	Pallet qty.
747580	1	2.67 kg	600 x 500 x 200 mm	8716798017435	16
747581	1	2.80 kg	600 x 500 x 200 mm	8716798017442	16
747582	1	2.30 kg	600 x 575 x 225 mm	8716798017459	10
747583	1	2.43 kg	600 x 575 x 225 mm	8716798017466	10
757584	1	4.51 kg	600 x 500 x 200 mm	8716798017473	16
747585	1	4.64 kg	600 x 500 x 200 mm	8716798017480	16

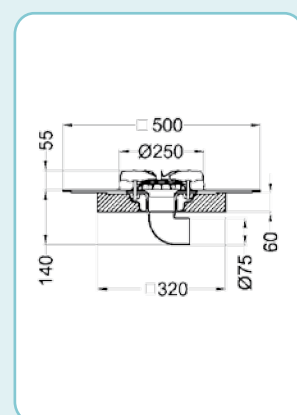
ALL IN ONE PACKAGING



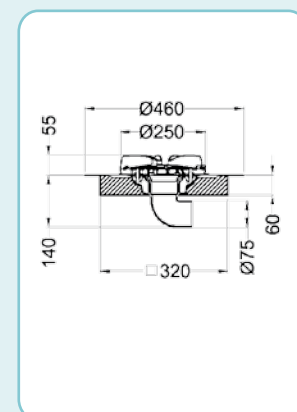
DIMENSIONS



P PVC flange horizontal



B Bituminous flange horizontal



C Clamp flange horizontal

Akatherm International BV
Industrieterrein 11
PO Box 7149
NL-5980 AC Panningen
The Netherlands

Tel +31(0)77 30 88 650
Fax +31(0)77 30 75 232

info@akatherm.nl
www.akatherm.com



an **OAliaxis** company